

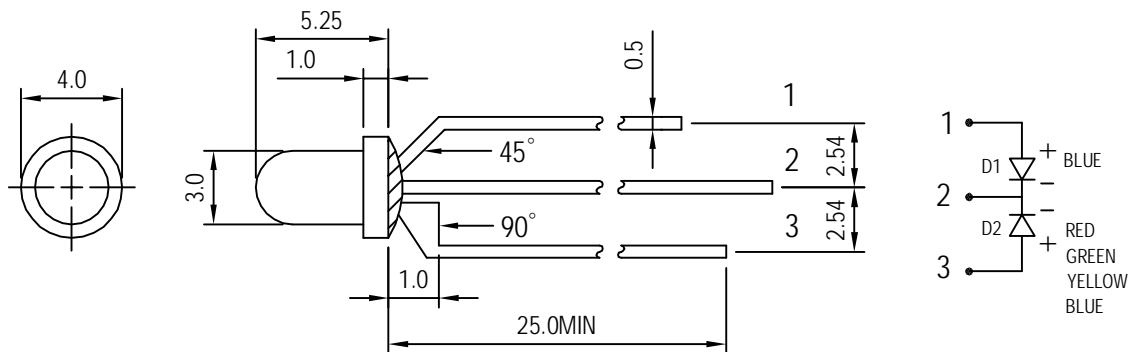
JOINSCAN LEDs

| ∅ 3.0 mm 3PINs DUAL COLOR CLEAR TYPE LED LAMP | |
|---|---------------|
| MODEL NO. | L3055CX+ |
| EMITTING COLOR | BLUE / YELLOW |
| DICE | SiC / GaP |
| LENS | CLEAR TYPE |

| ABSOLUTE MAXIMUM RATINGS (最大極限值) | | | |
|---|--------|-------------------|--------|
| TA = 25 °C | | | |
| PARAMETER | SYMBOL | RATING | UNIT |
| D1 BLUE POWER DISSIPATION | P AD | 72.0 | mW |
| D2 YELLOW POWER DISSIPATION | P AD | 42.0 | mW |
| DERATING LINEAR FROM 25 °C | | 0.27 | m / °C |
| D1 BLUE CONTINUOUS FORWARD CURRENT | I AF | 20.0 | mA |
| D2 YELLOW CONTINUOUS FORWARD CURRENT | I AF | 20.0 | mA |
| PEAK FORWARD CURRENT (DUTY CYCLE 1 / 10 , 10KHZ) | I PF | 90.0 | mA |
| REVERSE VOLTAGE | V R | 5.0 | V |
| OPERATING TEMPERATURE | T OPR | -25 °C TO + 85 °C | |
| STORAGE TEMPERATURE | T STG | -25 °C TO + 85 °C | |
| SOLDER TEMPERATURE 1/16 INCH BELOW SEATING PLANE FOR 5 SECONDS AT 230 °C OR 3 SECONDS AT 250 °C | | | |

| D1 BLUE ELECTRO - OPTICAL CHARACTERISTICS (電性) | | | | | | |
|--|-------------|------------|-----|-----|-----|---------|
| TA = 25 °C | | | | | | |
| PARAMETER | SYMBOL | CONDITION | MIN | TYP | MAX | UNIT |
| FORWARD VOLTAGE | V F | I F = 20mA | — | 3.6 | — | V |
| LUMINOUS INTENSITY | I V | I F = 20mA | — | 150 | — | mcd |
| PEAK EMISSION WAVELENGTH | λP | I F = 20mA | — | 470 | — | nm |
| REVERSE CURRENT | I R | VR = 5V | — | — | 100 | μA |

| D2 YELLOW ELECTRO - OPTICAL CHARACTERISTICS (電性) | | | | | | |
|--|-------------|------------|-----|-----|-----|---------|
| TA = 25 °C | | | | | | |
| PARAMETER | SYMBOL | CONDITION | MIN | TYP | MAX | UNIT |
| FORWARD VOLTAGE | V F | I F = 20mA | — | 2.0 | — | V |
| LUMINOUS INTENSITY | I V | I F = 20mA | — | 37 | — | mcd |
| PEAK EMISSION WAVELENGTH | λP | I F = 20mA | — | 600 | — | nm |
| REVERSE CURRENT | I R | VR = 5V | — | — | 100 | μA |



UNIT : mm
TOLERANCE : ± 0.2mm
REV : B