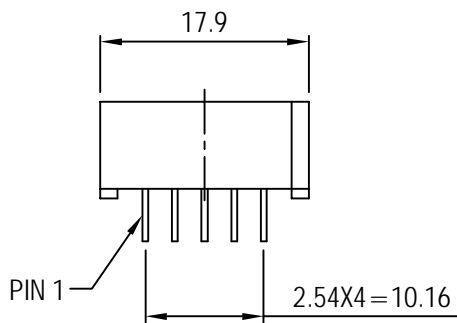
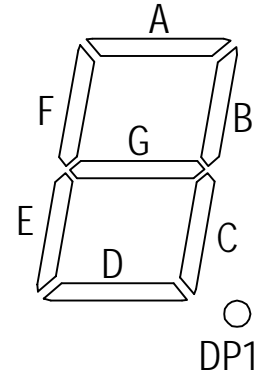
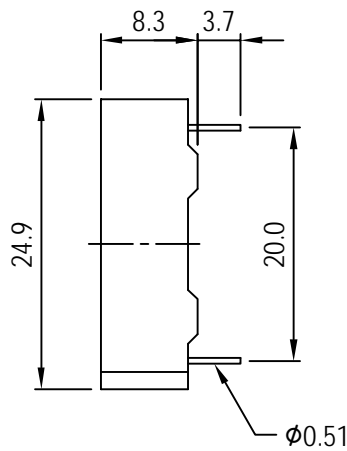
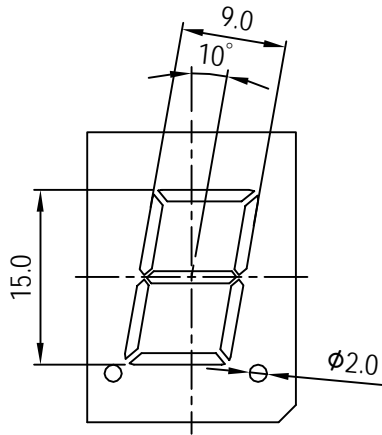


# JOINSCAN LEDs

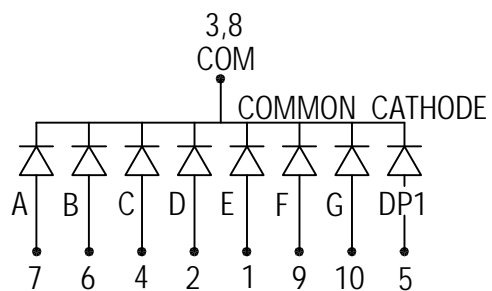
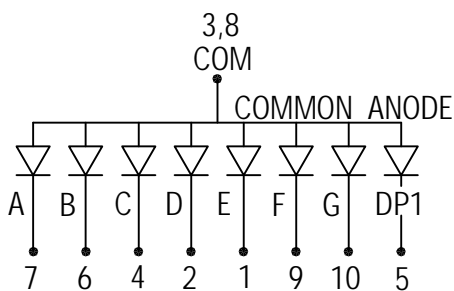
S.60B 0.60 INCH (15.0mm) SINGLE DIGIT PIN 3 & 8 COMMON 24.9 X 17.9 X 8.3mm



UNIT : mm  
TOLERANCE : ±0.2mm

## A. A6017 SERIES

## B. C6017 SERIES



PIN FUNCTION	COMMON ANODE			COMMON CATHODE			WAVE LENGTH (nm)	IR MAX (uA) VR=5V	VF (V) IF=20mA	LUMINOUS INTENSITY IF=20mA
	A	C	E	B	D	F				
Emitting COLOR	model no.	model no.	model no.	model no.	model no.	model no.				
GaP RED	A6017H			C6017H			695	100	2.2	0.4mcd
GaAsP ORANGE RED	A6017O			C6017O			630	100	2.0	2.5mcd
GaP GREEN	A6017G			C6017G			570	100	2.2	4.5mcd
Gap Yellow	A6017Y			C6017Y			600	100	2.2	2.5mcd
GaAlAs SUPER RED	A6017RS			C6017RS			650	100	1.8	3.0mcd
GaAlAs ULTRA RED										
GaAlAs YELLOW GREEN										
Sic BLUE	A6017SF			C6017SF			465±5	100	3.6	5.0mcd
ZnSe WHITE										

Model No. -BW BLACK SURFACE WHITE SEGMENT  
-BR BLACK SURFACE RED SEGMENT  
-GW GRAY SURFACE WHITE SEGMENT

Remark :

1. Typical forward current 10-20mA, MAXimum forward current 25mA
2. Solder Temperature 1.6mm Below Seating plane less 5 seconds at 260°C +5°C -30°C
3. Peak Forward current Per Dice, Duty cycle 1/10, 10KHZ, MAXimum 120mA
4. Operating Temperature From -25°C to 85°C
5. RoHS COMPLIANT

REV : B