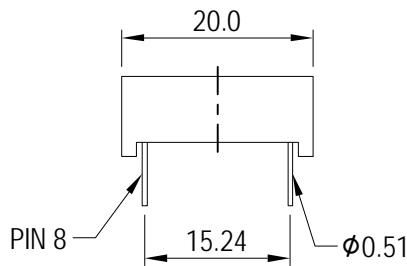
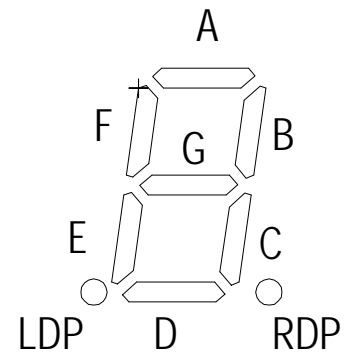
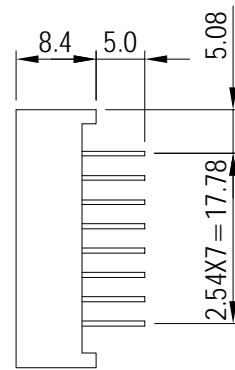
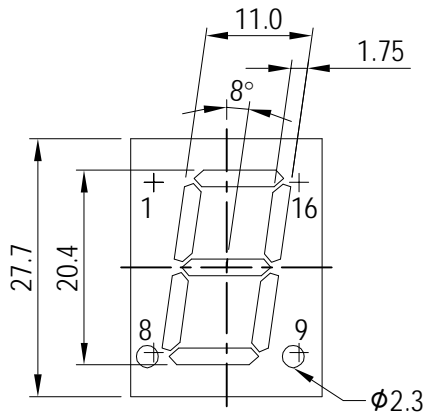
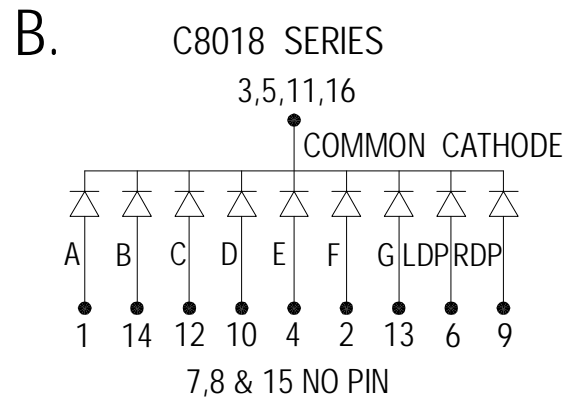
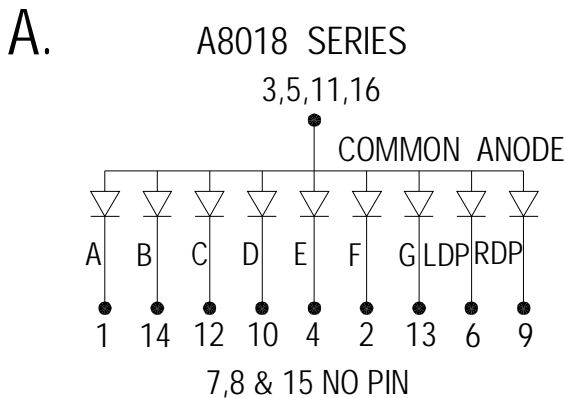


JOINSCAN LEDs

S.80A 0.80 INCH (20.4mm) SINGLE DIGIT 27.7 X 20.0 X 8.4mm



UNIT : mm
TOLERANCE : ±0.2mm



PIN FUNCTION	COLOR	COMMON ANODE			COMMON CATHODE			WAVE LENGTH (nm)	IR MAX (μA) VR=5V	VF (V) IF=20mA	LUMINOUS INTENSITY IF=20mA
		A model no.	C model no.	E model no.	B model no.	D model no.	F model no.				
GaP	RED	A8018H			C8018H			695	100	2.2	0.4mcd
GaAsP	ORANGE RED	A8018O			C8018O			630	100	2.0	2.5mcd
GaP	GREEN	A8018G			C8018G			570	100	2.2	4.5mcd
Gap	Yellow	A8018Y			C8018Y			600	100	2.2	2.5mcd
GaAlAs	SUPER RED	A8018RS			C8018RS			650	100	1.8	3.0mcd
GaAlAs	ULTRA RED										
GaAlAs	YELLOW GREEN										
Sic	BLUE	A8018SF			C8018SF			465±5	100	3.6	5.0mcd
ZnSe	WHITE										

Model No. -BW BLACK SURFACE WHITE SEGMENT
-BR BLACK SURFACE RED SEGMENT
-GW GRAY SURFACE WHITE SEGMENT

Remark :

1. Typical forward current 10-20mA, MAXimum forward current 25mA
2. Solder Temperature 1.6mm Below Seating plane less 5 seconds at 260°C +5°C -30°C
3. Peak Forward current Per Dice, Duty cycle 1/10, 10KHZ, MAXimum 120mA
4. Operating Temperature From -25°C to 85°C
5. RoHS COMPLIANT

REV : B