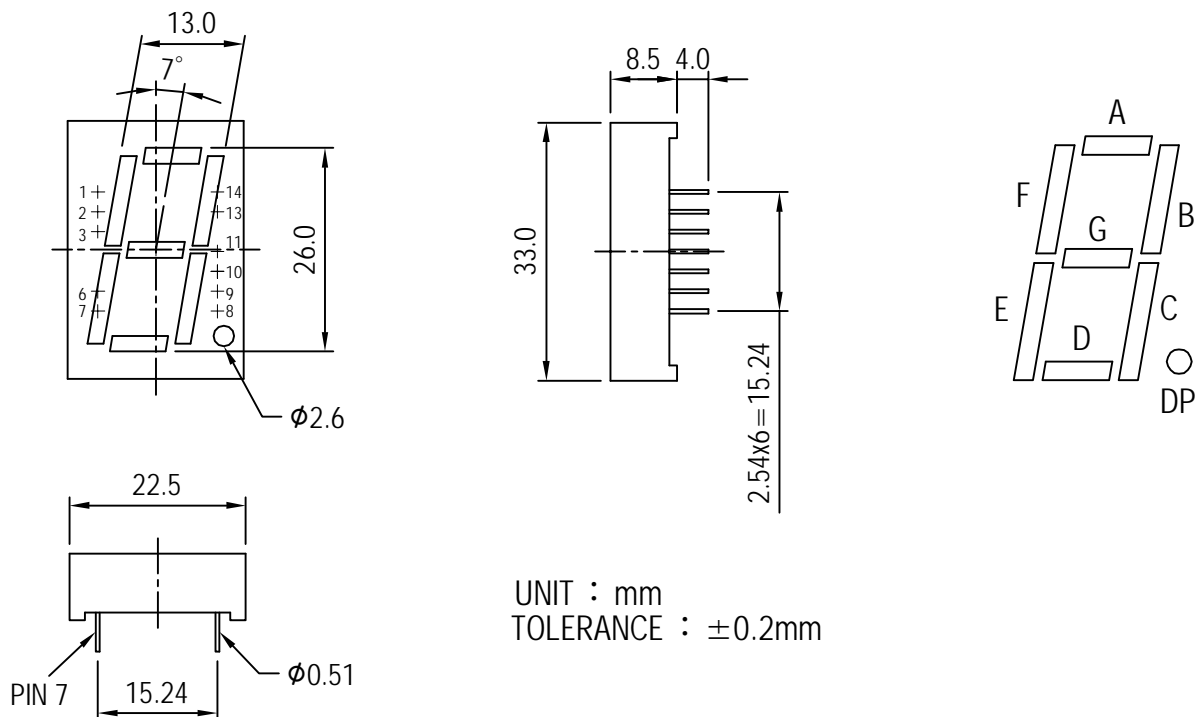


JOINSCAN LEDs

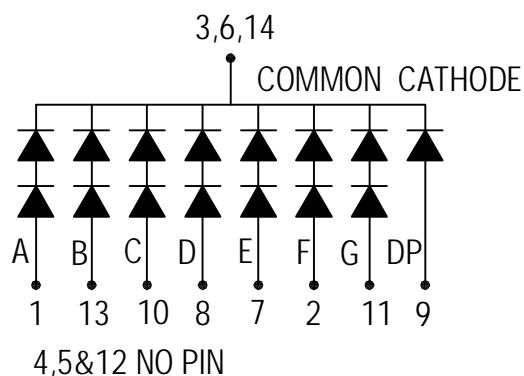
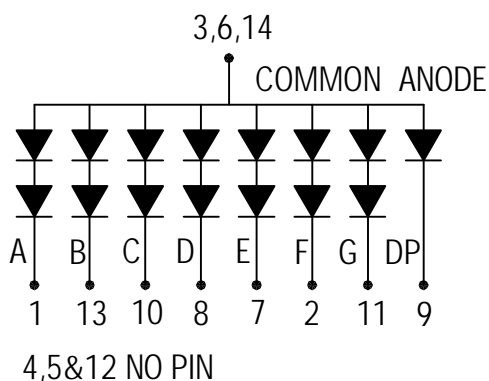
S1.0A 1.0 INCH (26mm) SINGLE DIGIT 33 X 22.5 X 8.5mm



UNIT : mm
TOLERANCE : ±0.2mm

A. A1018 SERIES

B. C1018 SERIES



PIN FUNCTION	COMMON ANODE			COMMON CATHODE			WAVE LENGTH (nm)	IR MAX (uA) VR=5V	VF (V) IF=20mA	LUMINOUS INTENSITY IF=20mA
	A	C	E	B	D	F				
Emitting COLOR	model no.	model no.	model no.	model no.	model no.	model no.	(nm)	VR=5V	IF=20mA	IF=20mA
GaP RED	A1018H			C1018H			695	100	4.4	0.4 mcd
GaAsP ORANGE RED	A1018O			C1018O			630	100	4.0	2.5 mcd
GaP GREEN	A1018G			C1018G			570	100	4.4	4.5 mcd
GaP Yellow	A1018Y			C1018Y			600	100	4.4	2.5 mcd
GaAlAs SUPER RED	A1018RS			C1018RS			650	100	3.6	3.0 mcd
GaAlAs ULTRA RED										
GaAlAs YELLOW GREEN										
Sic BLUE	A1018SF			C1018SF			465±5	100	7.2	30 mcd
ZnSe WHITE										

Model No. -BW BLACK SURFACE WHITE SEGMENT
-BR BLACK SURFACE RED SEGMENT
-GW GRAY SURFACE WHITE SEGMENT

Remark :

1. Typical forward current 10-20mA, MAXimum forward current 25mA
2. Solder Temperature 1.6mm Below Seating plane less 5 seconds at 260°C +5°C -30°C
3. Peak Forward current Per Dice, Duty cycle 1/10, 10KHZ, MAXimum 120mA
4. Operating Temperature From -25°C to 85°C
5. RoHS COMPLIANT

REV : C