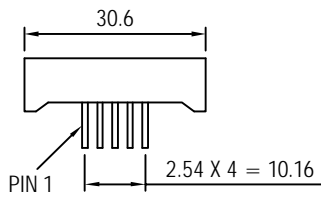
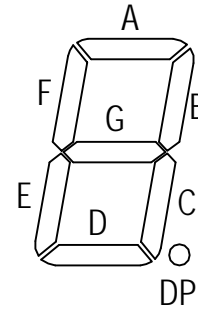
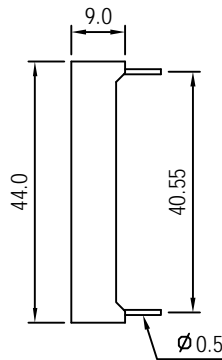
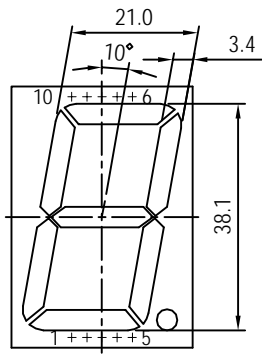


JOINSCAN LEDs

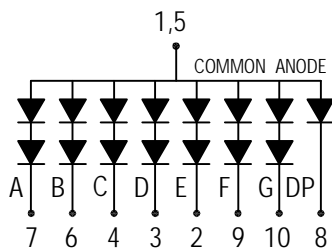
S1.5B 1.5 INCH (38.1mm) SINGLE DIGIT 44 X 30.6 X 9mm



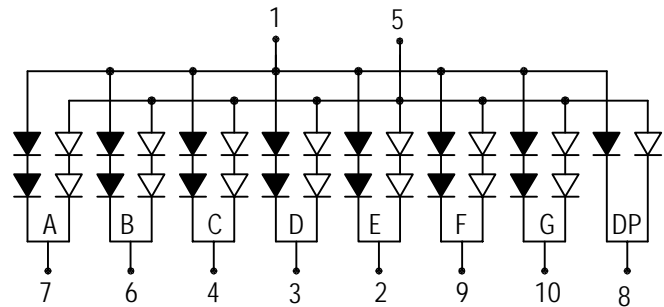
UNIT : mm
TOLERANCE : ±0.2mm

= GREEN
 = ORANGE RED

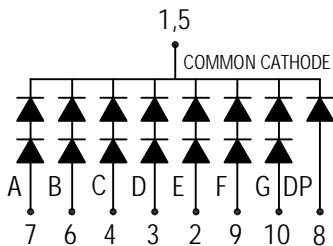
A. A1618 SERIES



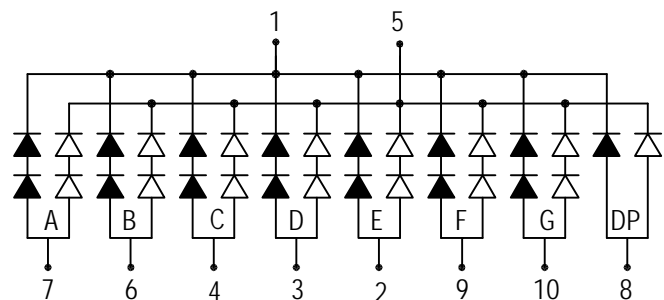
C. A1619C



B. C1618 SERIES



D. C1619C



PIN FUNCTION	COMMON ANODE			COMMON CATHODE			WAVE LENGTH (nm)	IR MAX (uA) VR=5V	VF (V) IF=20mA	LUMINOUS INTENSITY IF=20mA
	A	C	E	B	D	F				
Emitting COLOR	model no.	model no.	model no.	model no.	model no.	model no.				
GaP RED	A1618H			C1618H			695	100	4.4	0.4mcd
GaAsP ORANGE RED	A1618O	A1619C		C1618O	C1619C		630	100	4.0	2.5mcd
GaP GREEN	A1618G			C1618G			570	100	4.4	4.5mcd
Gap Yellow	A1618Y			C1618Y			600	100	4.4	2.5mcd
GaAlAs SUPER RED	A1618RS			C1618RS			650	100	3.6	3.0mcd
GaAlAs ULTRA RED										
GaAlAs YELLOW GREEN										
Sic BLUE	A1618SF			C1618SF			465±5	100	7.2	30mcd
ZnSe WHITE										

Model No. - BW BLACK SURFACE WHITE SEGMENT

- BR BLACK SURFACE RED SEGMENT

- GW GRAY SURFACE WHITE SEGMENT

Remark :

1. Typical forward current 10 ~ 20mA , MAXimum forward current 25mA
2. Solder Temperature 1.6mm Below Seating plane less 5 seconds at 260°C +5°C -30°C
3. Peak Forward current Per Dice , Duty cycle 1 / 10 , 10KHZ , MAXimum 120mA
4. Operating Temperature From -25°C to 85°C
5. RoHS COMPLIANT

REV : B