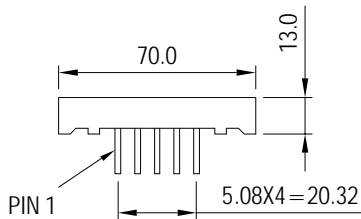
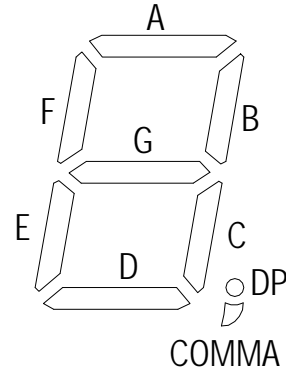
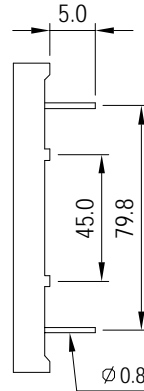
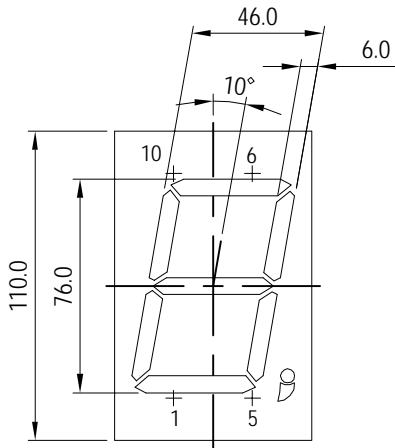


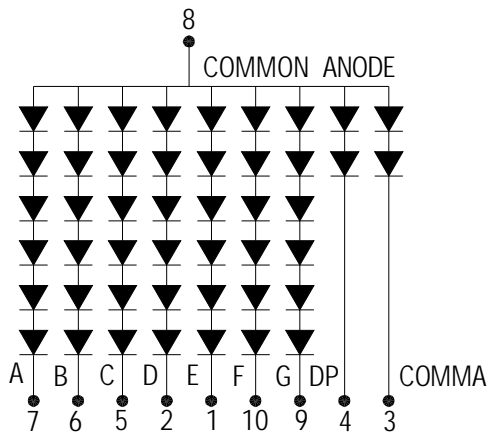
JOINSCAN LEDs

S3.0A 3.0 INCH (76mm) SINGLE DIGIT 110 X 70 X 13mm

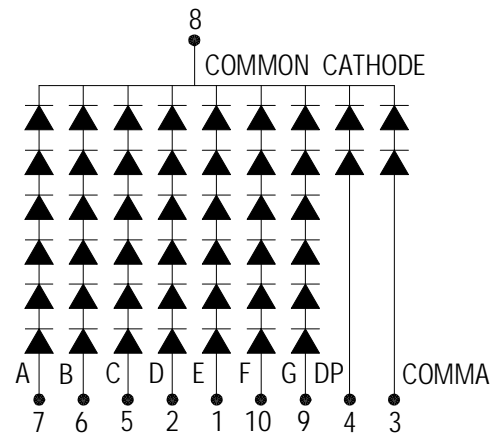


UNIT : mm
TOLERANCE : ±0.2mm

A. A0318 SERIES



B. C0318 SERIES



PIN FUNCTION	COMMON ANODE			COMMON CATHODE			WAVE LENGTH (nm)	IR MAX (uA) VR=5V	VF (V) IF=20mA	LUMINOUS INTENSITY IF=20mA
	A	C	E	B	D	F				
Emitting COLOR	model no.	model no.	model no.	model no.	model no.	model no.	(nm)	VR=5V	IF=20mA	IF=20mA
GaP RED	A0318H			C0318H			695	100	13.2	0.6mcd
GaAsP ORANGE RED	A0318O			C0318O			630	100	12.0	4.0mcd
GaP GREEN	A0318G			C0318G			570	100	13.2	4.5mcd
Gap Yellow	A0318Y			C0318Y			600	100	13.2	4.0mcd
GaAlAs SUPER RED	A0318RS			C0318RS			650	100	10.8	8.0mcd
GaAlAs ULTRA RED										
GaAlAs YELLOW GREEN										
Sic BLUE	A0318SF			C0318SF			465±5	100	21.6	30mcd
ZnSe WHITE										

Model No. -BW BLACK SURFACE WHITE SEGMENT
-BR BLACK SURFACE RED SEGMENT
-GW GRAY SURFACE WHITE SEGMENT

Remark :

1. Typical forward current 10-20mA , MAXimum forward current 25mA
2. Solder Temperature 1.6mm Below Seating plane less 5 seconds at 260°C +5°C -30°C
3. Peak Forward current Per Dice , Duty cycle 1/10 , 10KHZ , MAXimum 120mA
4. Operating Temperature From -25°C to 85°C
5. RoHS COMPLIANT

REV : C