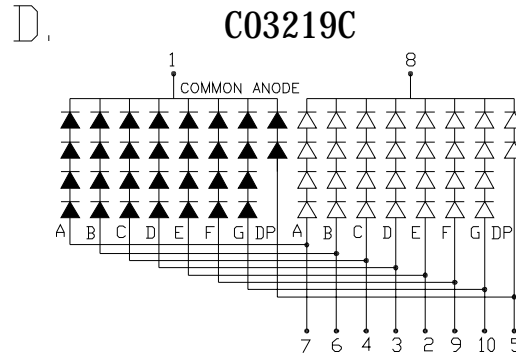
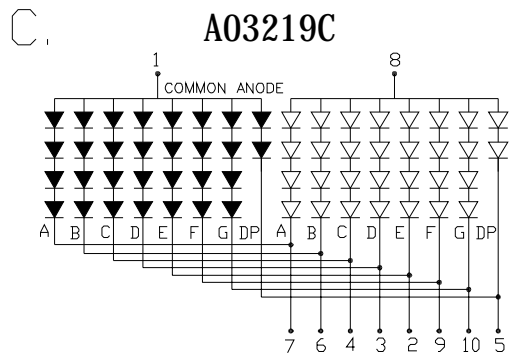
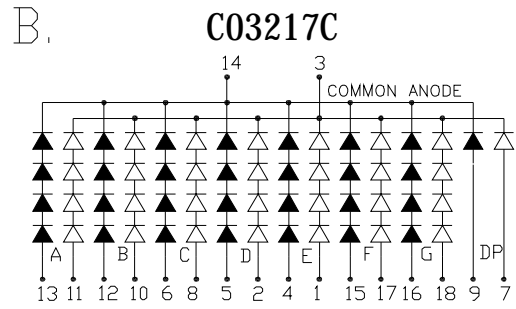
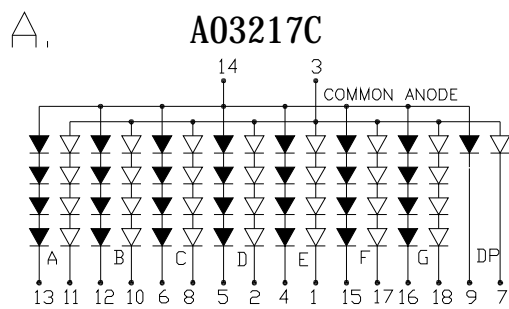
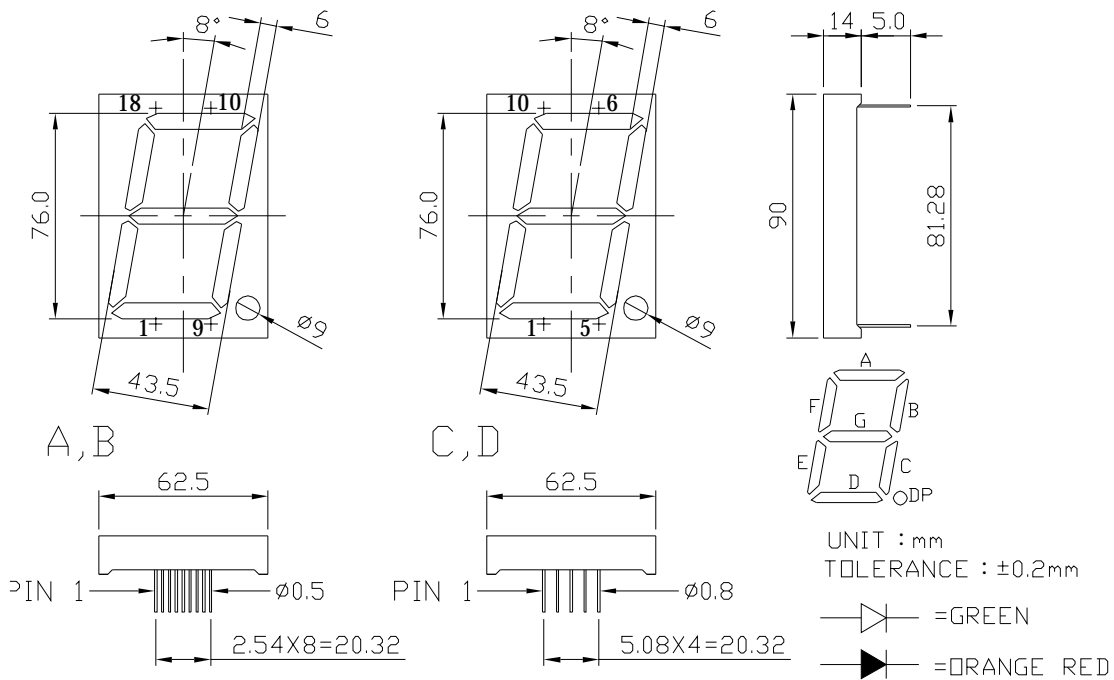


JOINSCAN LEDs

S3.0B 3.0 INCH (76mm) SINGLE DIGIT DUAL COLOR 90 X 62.5 X 14mm 10PINS & 18PINS



PIN FUNCTION	COMMON ANODE			COMMON CATHODE			WAVE LENGTH (nm)	IR MAX (uA)	VF (V)	LUMINOUS INTENSITY (mcd)
	A	C	E	B	D	F				
Emitting COLOR	model no.	model no.	model no.	model no.	model no.	model no.				
GoP RED							630	100	12.0	4.0mcd
GaAsP ORANGE RED	A03217C	A03219C		C03217C	C03219C		570	100	13.2	4.5mcd
GaP Green										
Gap Yellow										
GaAlAs SUPER RED										
GaAlAs ULTRA RED										
GaAlAs YELLOW GREEN										
Sic BLUE										
ZnSe WHITE										

Model No. -BW BLACK SURFACE WHITE SEGMENT
 -BR BLACK SURFACE RED SEGMENT
 -GW GRAY SURFACE WHITE SEGMENT

- Remark :
1. Typical forward current 10-20mA, MAXimum forward current 25mA
 2. Solder Temperature 1.6mm Below Seating plane less 5 seconds at 260°C +5°C -30°C
 3. Peak Forward current Per Dice, Duty cycle 1/10, 10KHZ, MAXimum 120mA
 4. Operating Temperature From -25°C to 85°C
 5. RoHS COMPLIANT

REV : C