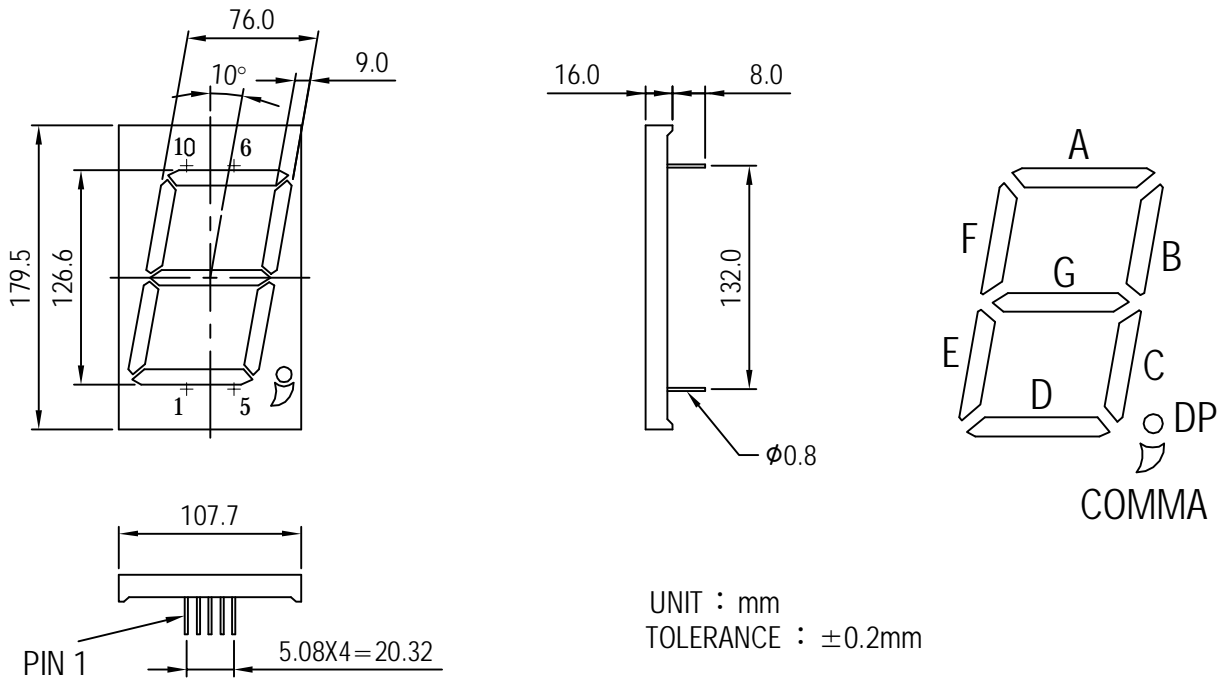


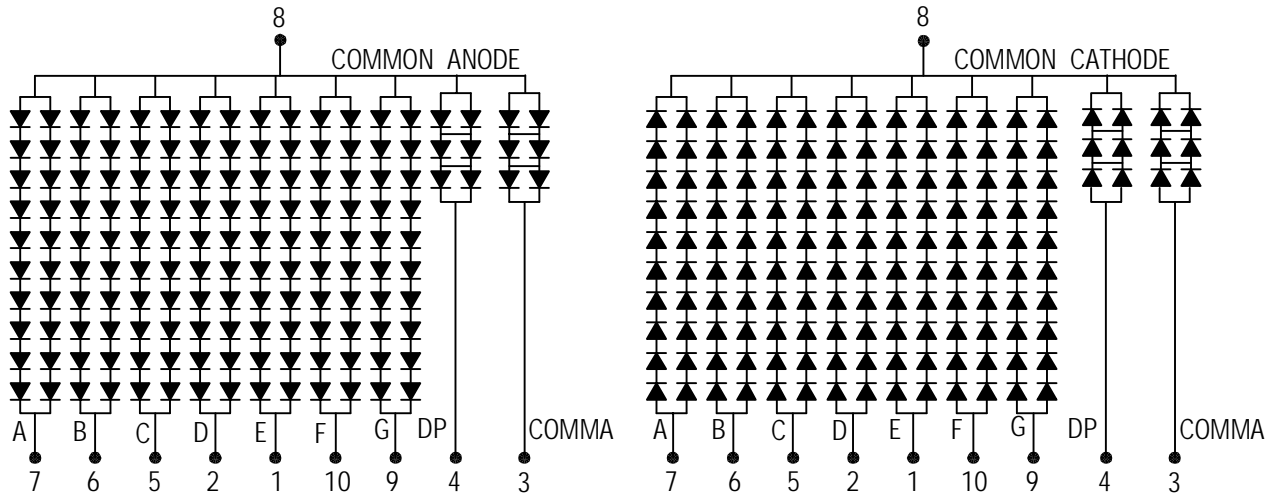
JOINSCAN LEDs

S5.0A 5.0 INCH (126.6mm) SINGLE DIGIT 179.5 X 107.7 X 16mm



A. A0518 SERIES

B. C0518 SERIES



PIN FUNCTION	COMMON ANODE			COMMON CATHODE			WAVE LENGTH (nm)	IR MAX (uA)	VF (V)	LUMINOUS INTENSITY
	A	C	E	B	D	F				
Emitting COLOR	model no.	model no.	model no.	model no.	model no.	model no.		VR=5V	IF=20mA	IF=20mA
GaP RED	A0518H			C0518H			695	100	22.0	0.6mcd
GaAsP ORANGE RED	A0518O			C0518O			630	100	20.0	4.0mcd
GaP GREEN	A0518G			C0518G			570	100	22.0	4.5mcd
Gap Yellow	A0518Y			C0518Y			600	100	22.0	4.0mcd
GaAlAs SUPER RED	A0518RS			C0518RS			650	100	18.0	8.0mcd
GaAlAs ULTRA RED										
GaAlAs YELLOW GREEN										
Sic BLUE	A0518SF			C0518SF			465±5	100	36.0	30mcd
ZnSe WHITE										

Model No. -BW BLACK SURFACE WHITE SEGMENT
-BR BLACK SURFACE RED SEGMENT
-GW GRAY SURFACE WHITE SEGMENT

Remark :

1. Typical forward current 10-20mA, MAXimum forward current 25mA
2. Solder Temperature 1.6mm Below Seating plane less 5 seconds at 260°C +5°C -30°C
3. Peak Forward current Per Dice, Duty cycle 1/10, 10KHZ, MAXimum 120mA
4. Operating Temperature From -25°C to 85°C
5. RoHS COMPLIANT

REV : B