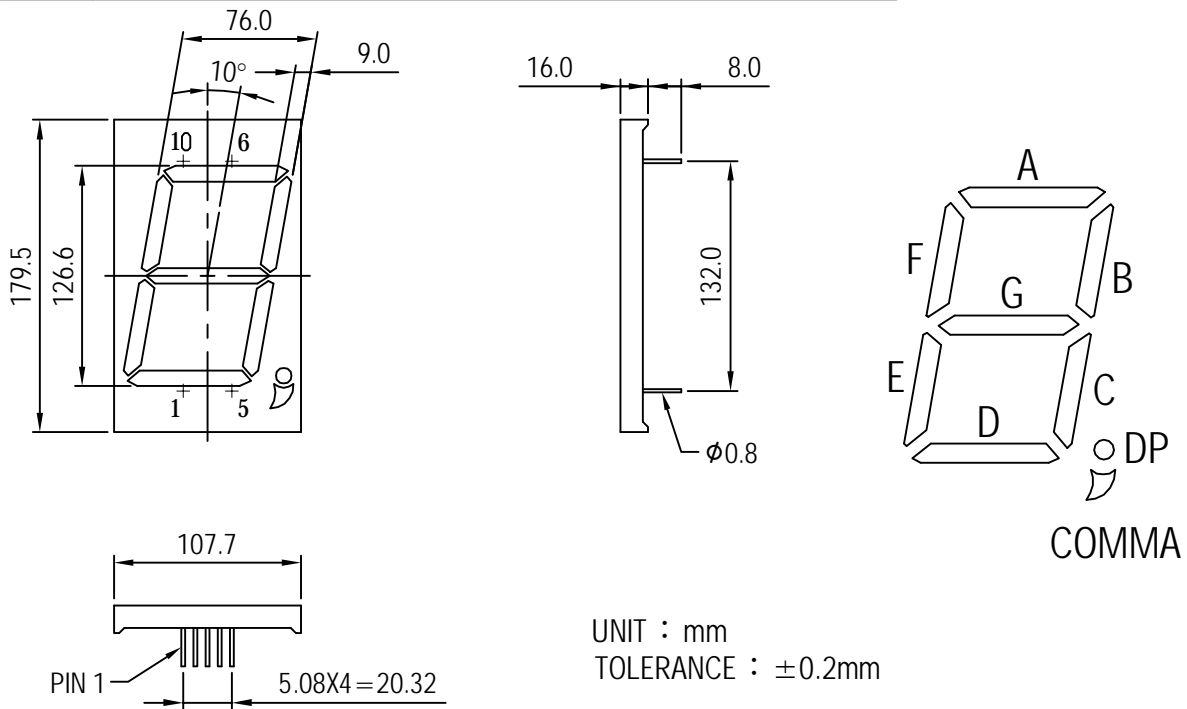


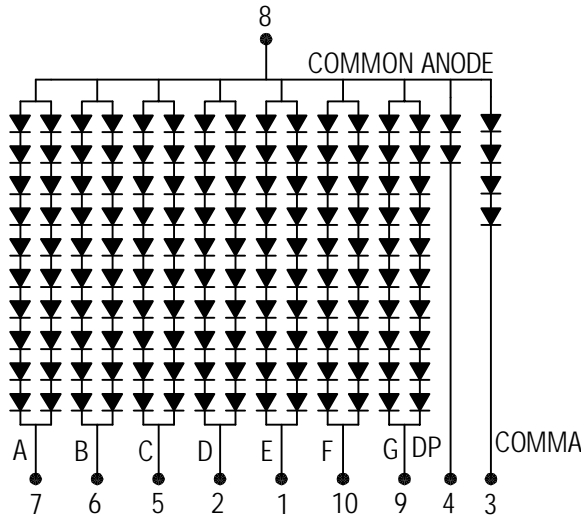
JOINSCAN LEDs

S5.0B 5.0 INCH (126.6mm) SINGLE DIGIT 179.5 X 107.7 X 16mm

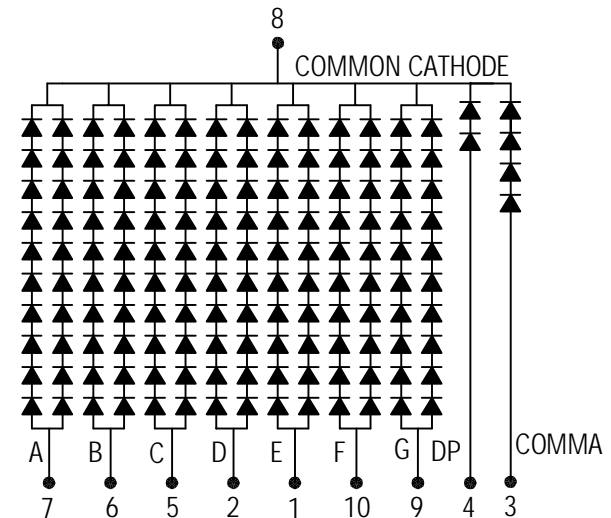


UNIT : mm
TOLERANCE : ±0.2mm

A. A0517 SERIES



B. C0517 SERIES



PIN FUNCTION	COMMON ANODE			COMMON CATHODE			WAVE LENGTH (nm)	IR MAX (uA)	VF (V)	LUMINOUS INTENSITY
	A	C	E	B	D	F				
Emitting COLOR	model no.	model no.	model no.	model no.	model no.	model no.	(nm)	VR=5V	IF=20mA	IF=20mA
GaP RED	A0517H			C0517H			695	100	22.0	0.6mcd
GaAsP ORANGE RED	A0517O			C0517O			630	100	20.0	4.0mcd
GaP GREEN	A0517G			C0517G			570	100	22.0	4.5mcd
Gap Yellow	A0517Y			C0517Y			600	100	22.0	4.0mcd
GaAlAs SUPER RED	A0517RS			C0517RS			650	100	18.0	8.0mcd
GaAlAs ULTRA RED										
GaAlAs YELLOW GREEN										
Sic BLUE	A0517SF			C0517SF			465±5	100	36.0	30mcd
ZnSe WHITE										

Model No. -BW BLACK SURFACE WHITE SEGMENT
-BR BLACK SURFACE RED SEGMENT
-GW GRAY SURFACE WHITE SEGMENT

Remark :

1. Typical forward current 10-20mA · MAXIMUM forward current 25mA
2. Solder Temperature 1.6mm Below Seating plane less 5 seconds at 260°C +5°C -30°C
3. Peak Forward current Per Dice · Duty cycle 1/10 · 10KHZ · MAXIMUM 120mA
4. Operating Temperature From -25°C to 85°C
5. RoHS COMPLIANT

REV : B