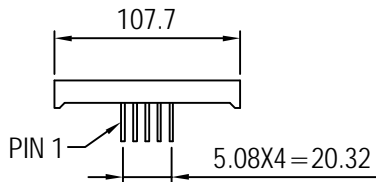
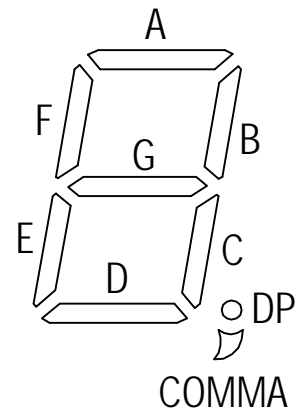
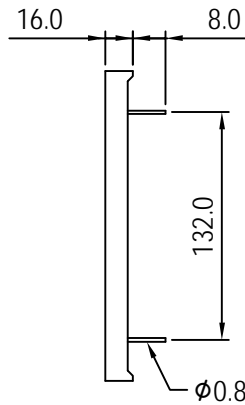
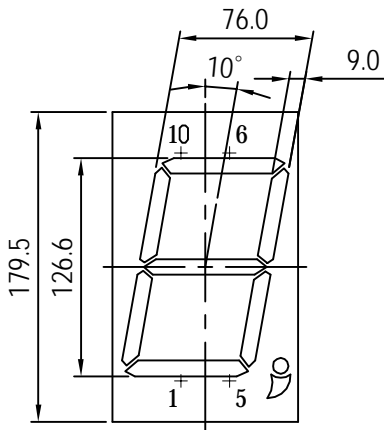


# JOINSCAN LEDs

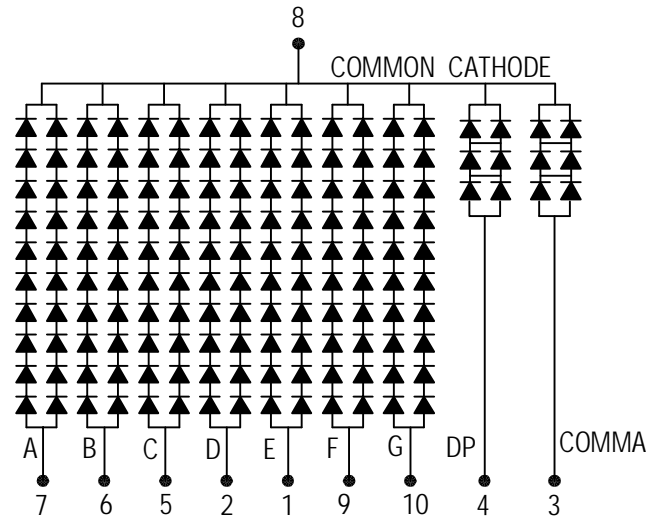
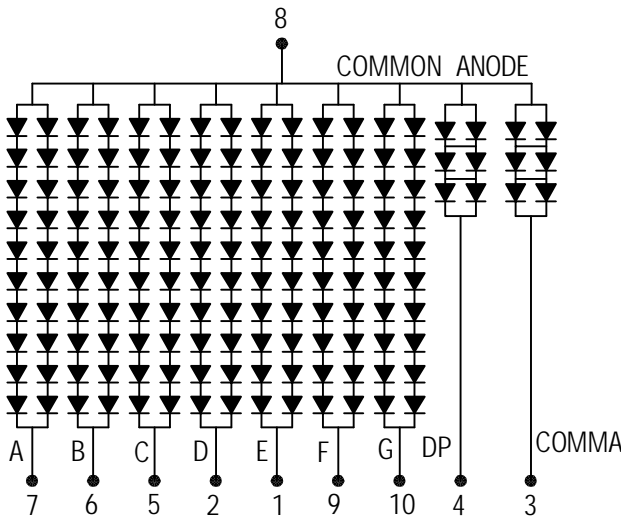
S5.0C 5.0 INCH (126.6mm) SINGLE DIGIT 179.5 X107.7 X 16mm



UNIT : mm  
TOLERANCE : ±0.2mm

## A. A0516 SERIES

## B. C0516 SERIES



PIN FUNCTION	COMMON ANODE			COMMON CATHODE			WAVE LENGTH (nm)	IR MAX (uA)	VF (V)	LUMINOUS INTENSITY
	A	C	E	B	D	F				
Emitting COLOR	model no.	model no.	model no.	model no.	model no.	model no.	(nm)	VR=5V	IF=20mA	IF=20mA
GaP RED	A0516H			C0516H			695	100	22.0	0.6mcd
GaAsP ORANGE RED	A0516O			C0516O			630	100	20.0	4.0mcd
GaP GREEN	A0516G			C0516G			570	100	22.0	4.5mcd
Gap Yellow	A0516Y			C0516Y			600	100	22.0	4.0mcd
GaAIAs SUPER RED	A0516RS			C0516RS			650	100	18.0	8.0mcd
GaAIAs ULTRA RED										
GaAIAs YELLOW GREEN										
Sic BLUE	A0516SF			C0516SF			465±5	100	36.0	30mcd
ZnSe WHITE										

Model No. -BW BLACK SURFACE WHITE SEGMENT  
-BR BLACK SURFACE RED SEGMENT  
-GW GRAY SURFACE WHITE SEGMENT

Remark :

1. Typical forward current 10~20mA , MAXimum forward current 25mA
2. Solder Temperature 1.6mm Below Seating plane less 5 seconds at 260°C +5°C -30°C
3. Peak Forward current Per Dice , Duty cycle 1/10 , 10KHZ , MAXimum 120mA
4. Operating Temperature From -25°C to 85°C
5. RoHS COMPLIANT

REV : B