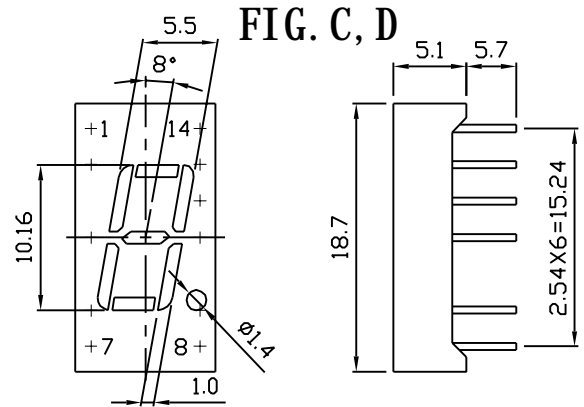
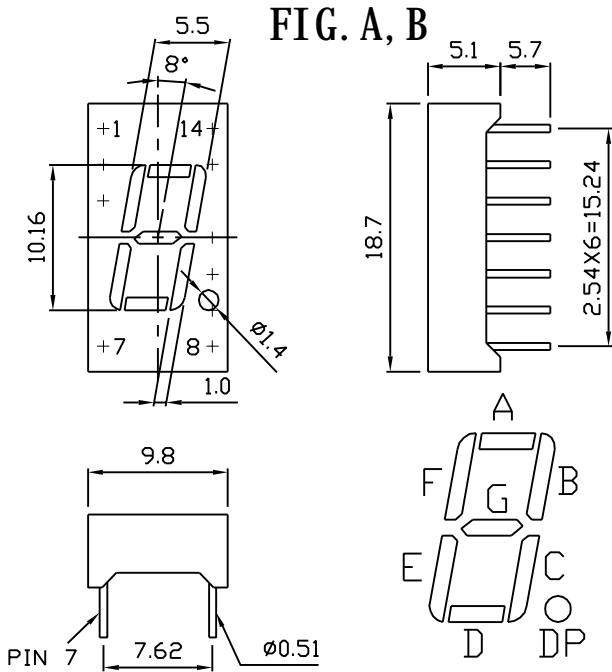


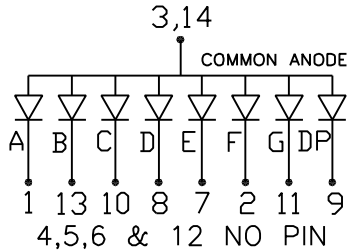
JOINSCAN LEDs

S. 40A 0.4 INCH SINGLE DIGIT

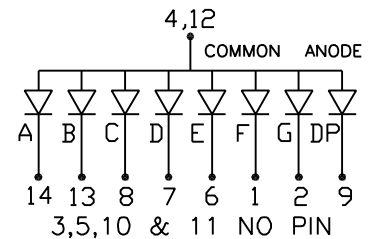


UNIT : mm
TOLERANCE : ±0.2mm

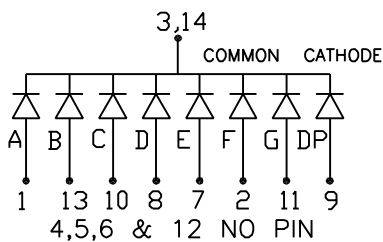
A. A4018H/□/G/Y/RS/SF/3



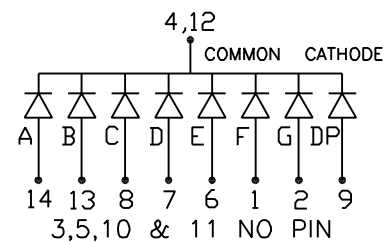
C. A4017H/□/G/Y/RS/SF/3



B. C4018H/□/G/Y/RS/SF/3



D. C4017H/□/G/Y/RS/SF/3



PIN FUNCTION	COMMON ANODE			COMMON CATHODE			WAVE LENGTH (nm)	IR MAX (uA) VR=5V	VF (V) IF=20mA	LUMINOUS INTENSITY IF=20mA
	A	C	E	B	D	F				
GaP RED	A4018H	A4017H		C4018H	C4017H		695	100	2.2	0.4mcd
GaAsP ORANGE RED	A40180	A40170		C40180	C40170		630	100	2.0	2.5mcd
GaP Green	A4018G	A4017G		C4018G	C4017G		570	100	2.2	4.5mcd
GaP Yellow	A4018Y	A4017Y		C4018Y	C4017Y		600	100	2.2	2.5mcd
GaAlAs RED	A4018RS	A4017RS		C4018RS	C4017RS		650	100	1.8	3.0mcd
GaAlAs RED										
GaAlAs YELLOW GREEN										
Sic BLUE	A4018SF	A4017SF		C4018SF	C4017SF		465±5	100	3.6	30mcd
ZnSe WHITE	A40183	A40173		C40183	C40173		485+	100	3.0	2.5mcd

Model No. -BW BLACK SURFACE WHITE SEGMENT
-BR BLACK SURFACE RED SEGMENT
-GW GRAY SURFACE WHITE SEGMENT

Remark :

1. Typical forward current 10-20mA, MAXimum forward current 25 mA
2. Solder Temperature 1.6mm Below Seating plane less 5 seconds at 260 °C +5°C -30°C
3. Peak Forward current Per Dice, Duty cycle 1/10, 10KHZ, MAXimum 120mA
4. Operating Temperature From -25 °C to 85°C

Amended Date :
2009 / Apr / 06 / 12 : 00
B