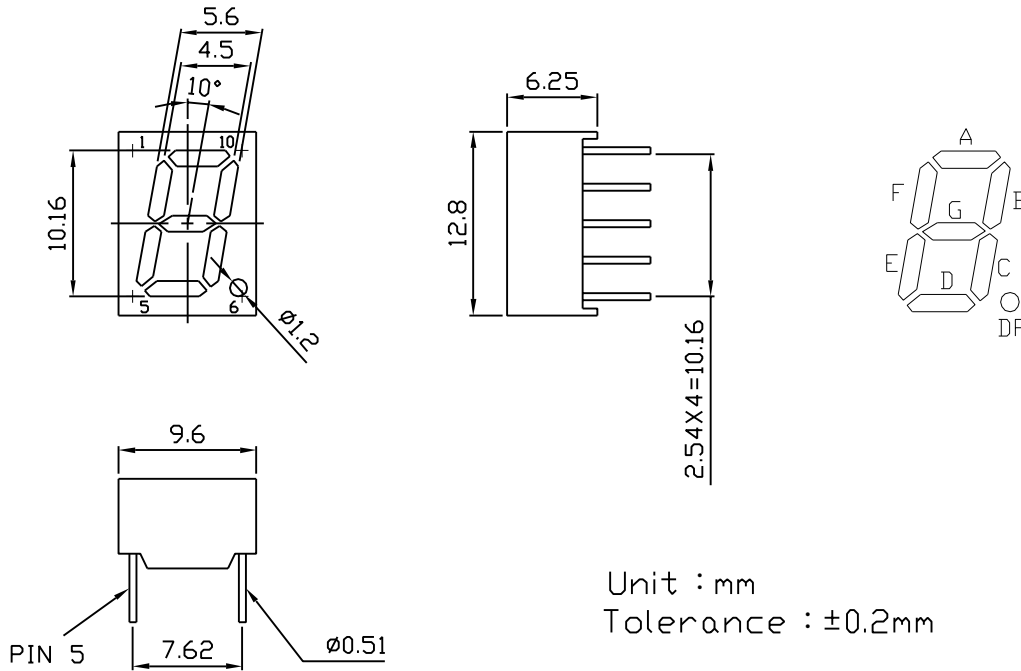


JOINSCAN LEDs

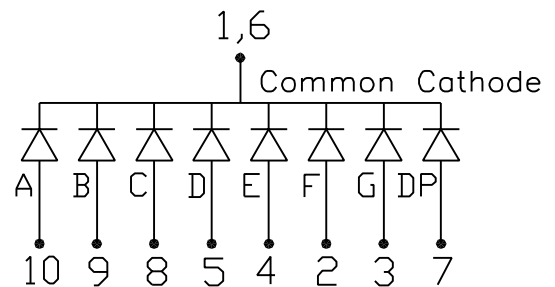
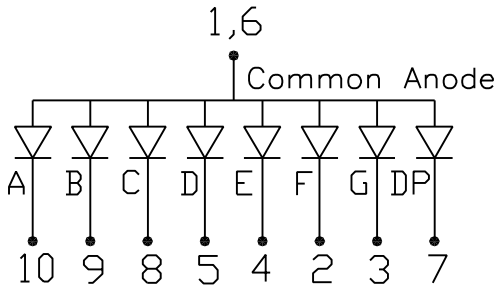
S. 40B 10.16 mm(0.40 INCH) SINGLE DIGIT



Unit : mm
Tolerance : ±0.2mm

A, A3817H/□/G/Y/RS/SF/3

B, C3817H/□/G/Y/RS/SF/3



Pin Function	Common Anode			Common Cathode			Wave Length (nm)	IR Max (uA) VR=5V	VF (V) IF=20mA	Luminous Intensity IF=10mA
	A	C	E	B	D	F				
GaP Red	A3817H			C3817H			695	100	2.2	0.6mcd
GaAsP Orange Red	A3817O			C3817O			630	100	2.0	2.5mcd
GaP Green	A3817G			C3817G			570	100	2.2	3.5mcd
GaP Yellow	A3817Y			C3817Y			600	100	2.2	3.5mcd
GaAlAs Super Red	A3817RS			C3817RS			650	100	1.8	3.3mcd
GaAlAs Red										
GaAlAs Yellow Green										
Sic Blue	A3817SF			C3817SF			465±5	100	3.6	5mcd

Model No. -Bw Black Surface White Segment
-Br Black Surface Red Segment
-Gw Gray Surface White Segment

Remark :

1. Typical Forward Current 10-20mA, MAXIMUM Forward Current 25 mA
2. Solder Temperature 1.6mm Below Seating Plane Less 5 Seconds At 260 °C +5°C -30°C
3. Peak Forward Current Per Dice, Duty Cycle 1/10, 1kHz, Maximum 120mA
4. Operating Temperature From -40 °C to 80 °C
5. RoHS Compliance

Amended Date :
2003 / Apr / 30 / 16 : 51